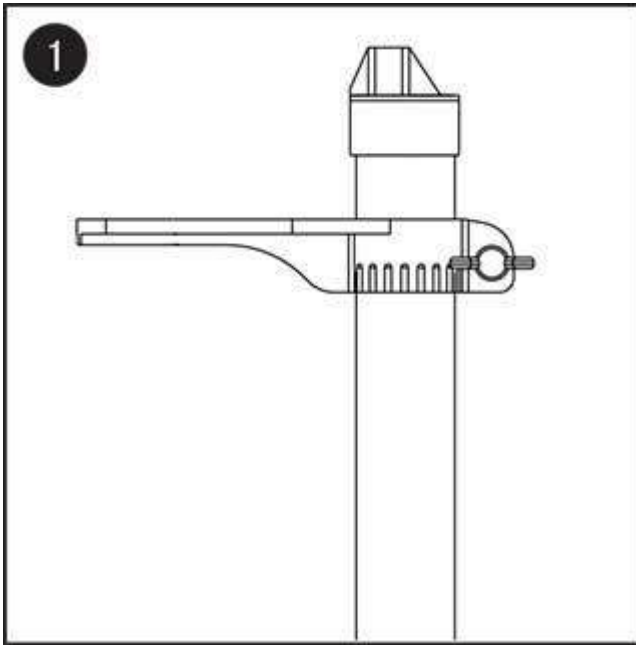


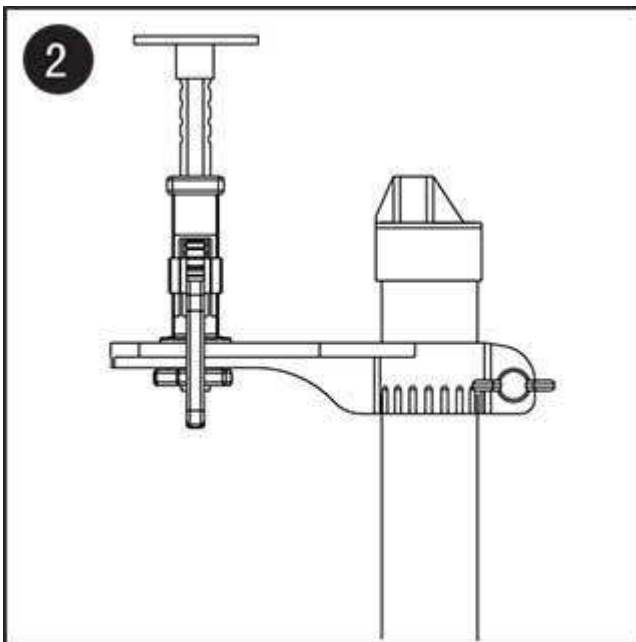
B5067 Push Button

Installation Instruction

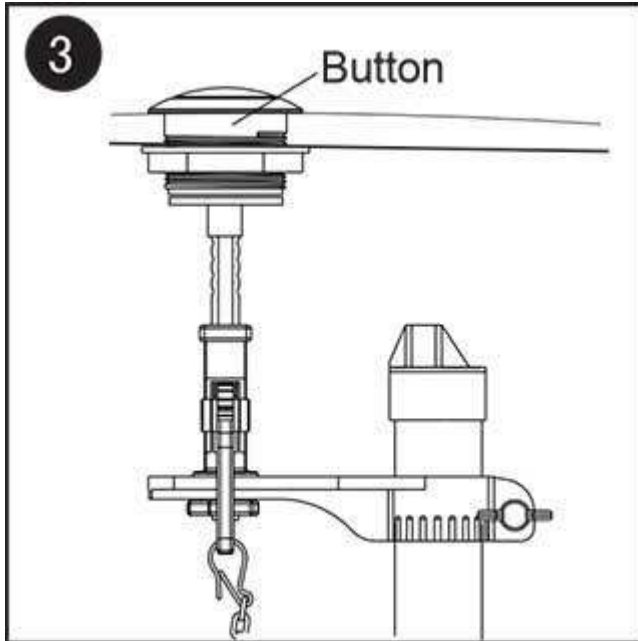


Push Button Installation Instruction

Fit the button bracket to the overflow tube of flush valve. Lock it up when location is fix on.



Fit the adjustable pole to the bracket, fix on the location, Make sure the adjustable pole cap aim at the button hole.



Fit the button to the button hole, lock up with the nut, and hang the chain on the adjustable pole.

1 Years Warranty for Toilet Tank Fittings:

Subject to the "Exclusions" set forth below, WDI promises to the consumer with the original purchase invoice to repair, or at the option of WDI, to replace, any part of this product which proves to be defective under normal installation and use for 5 years from the date of purchase (the invoice date prevails).

Exclusions: WDI shall not be liable for intentional or any other damages or malfunction resulting from reasons including but not limited to any misuse or inadequate maintenance of the product, or from force majeure. Failure to provide purchase invoice as proof will void this warranty. This warranty is null and void if this defective product can not be attributable to the manufacturer or distributor.