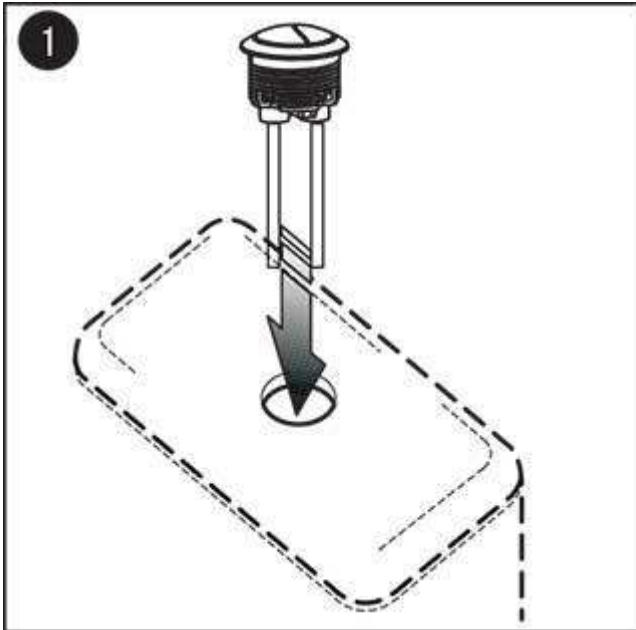


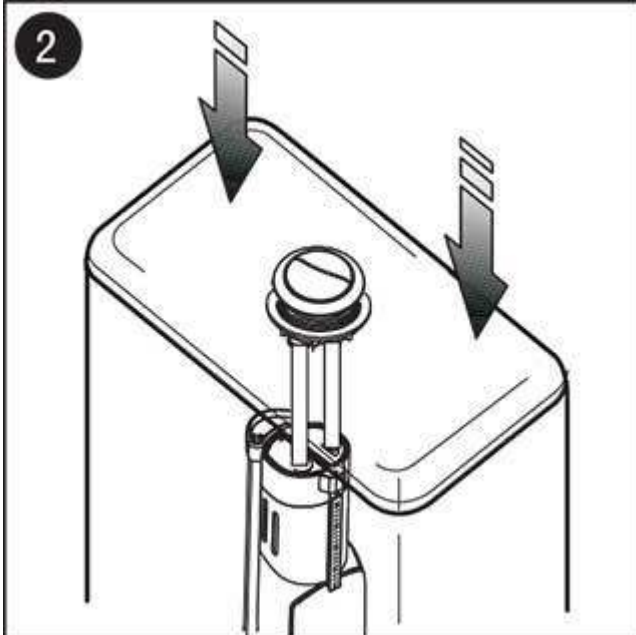
B5039 Push Button

Installation Instruction

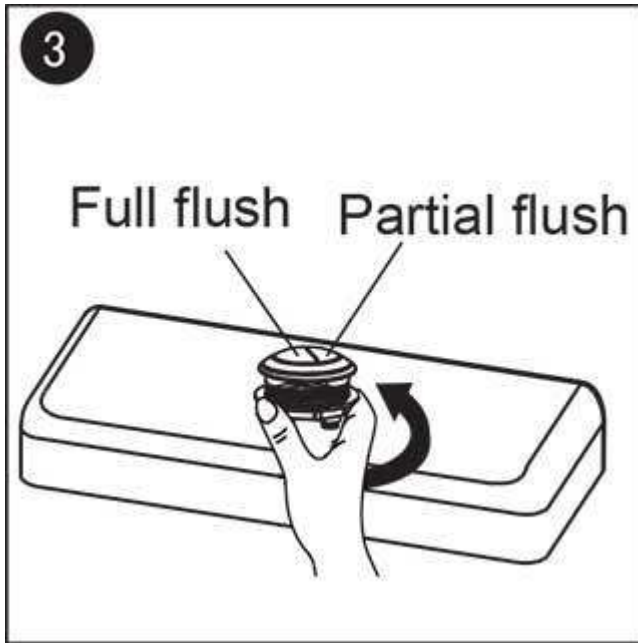


Push Button Installation Instruction

Cut the rod to a proper length, put the push button into the hole.



Adjust the direction of the push button. Be sure the full flush button toward the full flush touch piece.



Tighten the nut.

1 Years Warranty for Toilet Tank Fittings:

Subject to the "Exclusions" set forth below, WDI promises to the consumer with the original purchase invoice to repair, or at the option of WDI, to replace, any part of this product which proves to be defective under normal installation and use for 5 years from the date of purchase (the invoice date prevails).

Exclusions: WDI shall not be liable for intentional or any other damages or malfunction resulting from reasons including but not limited to any misuse or inadequate maintenance of the product, or from force majeure. Failure to provide purchase invoice as proof will void this warranty. This warranty is null and void if this defective product can not be attributable to the manufacturer or distributor.