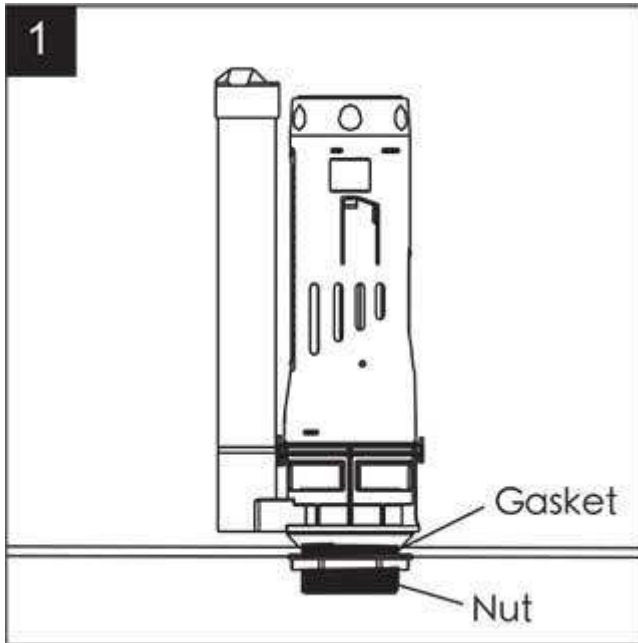


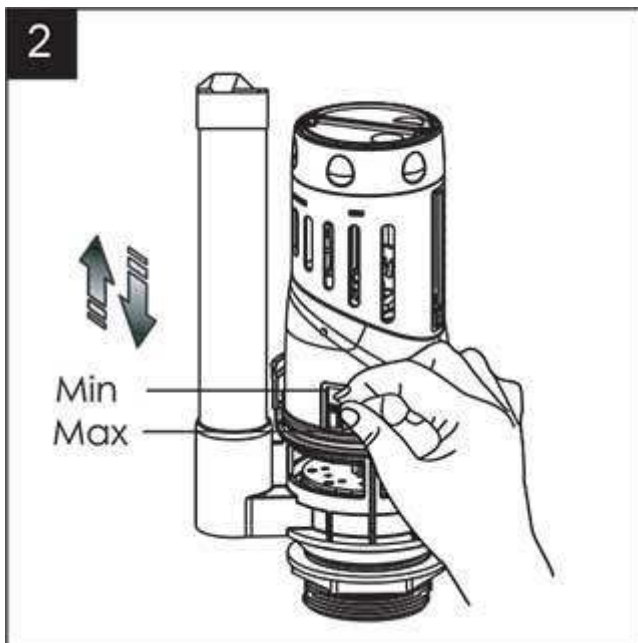
B4910T Dual Flush Valve

Installation Instruction

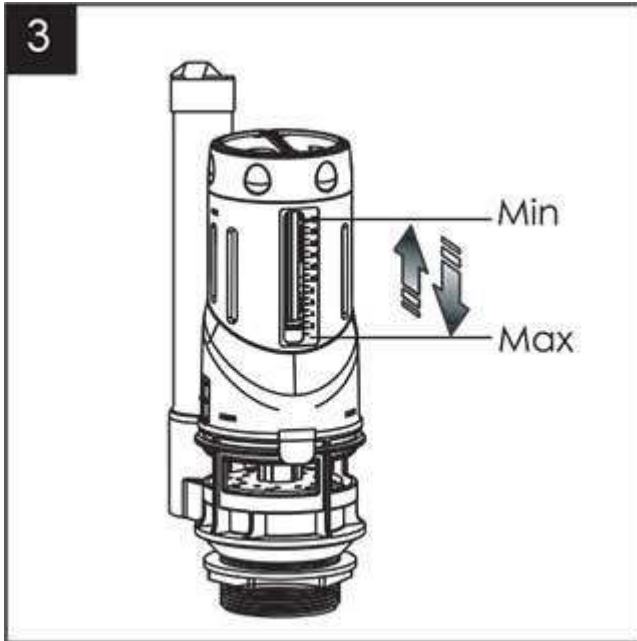


Flush Valve Installation Instruction

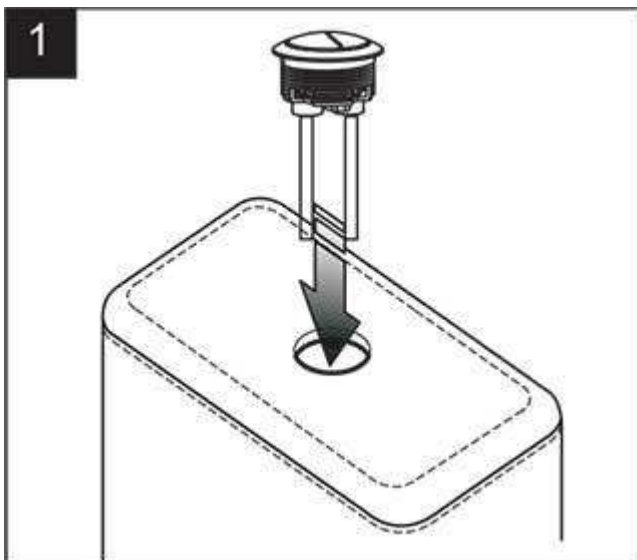
1. Screw down the nut, then put the flush valve into the tank hole, be sure the gasket tight to the wall, then screw the nut back to valve.



2. Adjustment of whole flush level: When the red card is on highest position, the whole flush water is at the least.

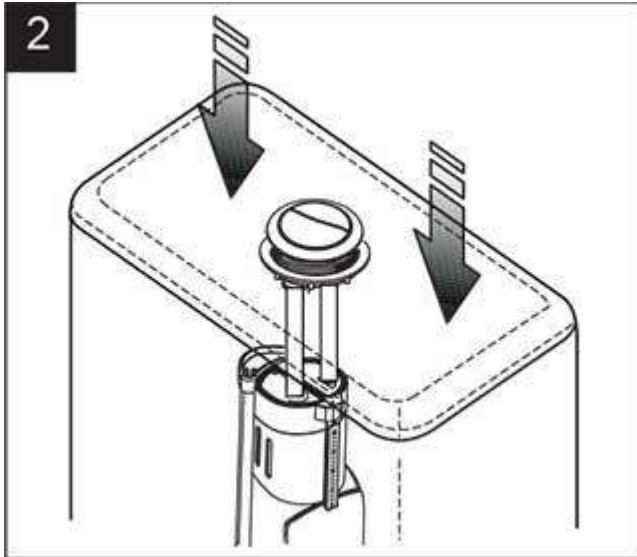


3. Adjustment of partial flush level: The partial flush float is higher, the partial flush water is less.

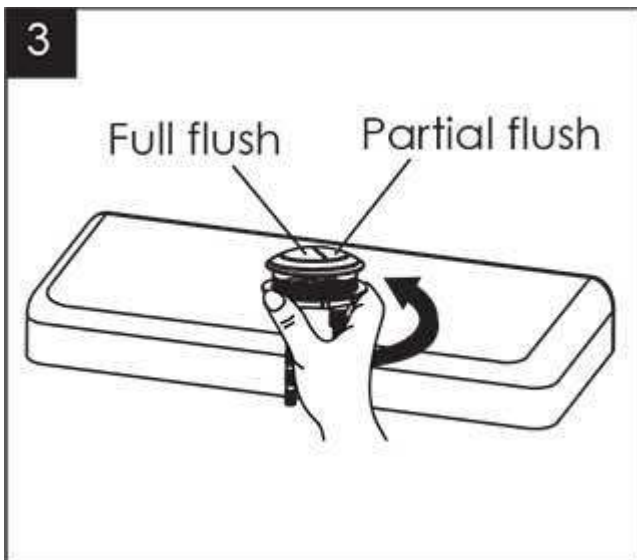


Dual Push Button Installation Instruction

1. Cut the adjustment rod to a proper length, put the push button into the hole.



2. Adjust the direction of the push button. Be sure the full flush button towards the full flush touch piece.



3. Tighten the nut.

5 Years Warranty for Toilet Tank Fittings:

Subject to the "Exclusions" set forth below, WDI promises to the consumer with the original purchase invoice to repair, or at the option of WDI, to replace, any part of this product which proves to be defective under normal installation and use for 5 years from the date of purchase (the invoice date prevails).

Exclusions: WDI shall not be liable for intentional or any other damages or malfunction resulting from reasons including but not limited to any misuse or inadequate maintenance of the product, or from force majeure. Failure to provide purchase invoice as proof will void this warranty. This warranty is null and void if this defective product can not be attributable to the manufacturer or distributor.