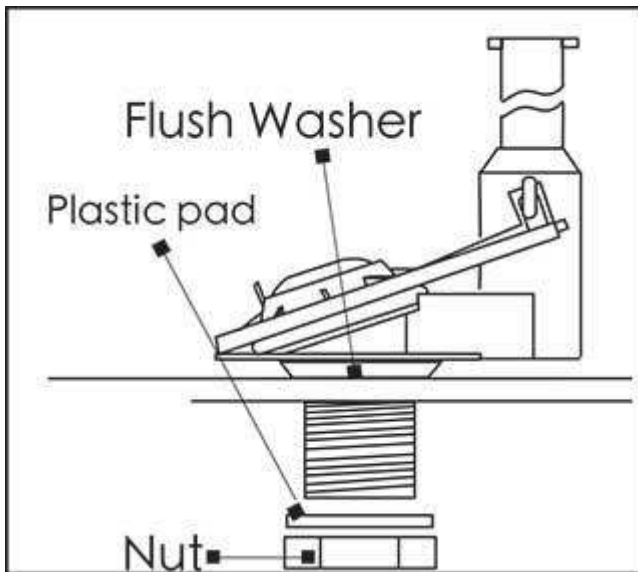
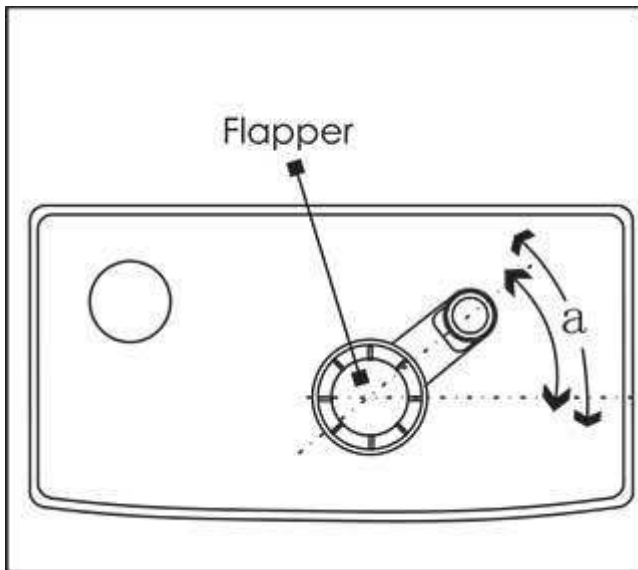


B1017-G Flush Valve

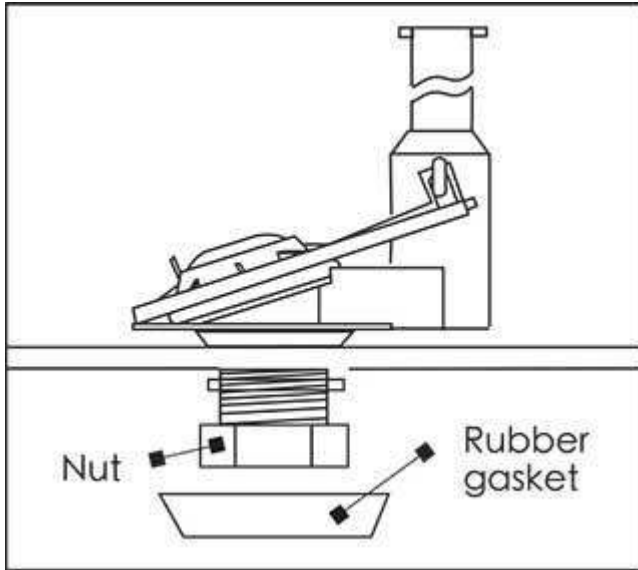
Installation Instruction



1. Take the round nut & plastic flush washer, put the flush valve center into the flush hole at the bottom tank. Make sure the flush washer is between the tank and the flush valve.



2. Adjust an angle of the flush valve, make sure the flapper is easy to open and the chain is not blocked.



3. Install the flush valve,

screw the round nut tight. Put the tank rubber gasket next to the nut of flush valve.

5 Years Warranty for Toilet Tank Fittings:

Subject to the "Exclusions" set forth below, WDI promises to the consumer with the original purchase invoice to repair, or at the option of WDI, to replace, any part of this product which proves to be defective under normal installation and use for 5 years from the date of purchase (the invoice date prevails).

Exclusions: WDI shall not be liable for intentional or any other damages or malfunction resulting from reasons including but not limited to any misuse or inadequate maintenance of the product, or from force majeure. Failure to provide purchase invoice as proof will void this warranty. This warranty is null and void if this defective product can not be attributable to the manufacturer or distributor.